

3HX SERIES, THREE ELEMENT FLUOROPOLYMER (PTFE) HEATERS					
WATTS	VOLTS	HOT ZONE	OVERALL LENGTH	MODEL NUMBER	SHIP WGT. Lbs./ (kg)
		In./ (mm)	In./ (mm)		
1000	120	10	17	3HX1117-1**	10
	240	(254)	(432)	3HX1217-**	(4.5)
1500	120	16	23	3HX1.5123-1**	11
	240	(406)	(584)	3HX1.5223-**	(5)
	480			3HX1.5423-**	
2000	120	22	29	3HX2129-1**	12
	240	(559)	(737)	3HX2229-**	(5.4)
	480			3HX2429-**	
3000	240	29	35	3HX3235-**	14
	480	(737)	(889)	3HX3435-**	(6.4)
4000	240	39	47	3HX4247-**	17
	480	(991)	(1194)	3HX4447-**	(7.7)
5000	240	48	59	3HX5259-**	20
	480	(1219)	(1499)	3HX5459-**	(9.1)
6000	240	56	68	3HX6268-**	23
	480	(1422)	(1727)	3HX6468-**	(10.4)

Three phases standard.

3HX Series Heater Features and Benefits

SUPERIOR CHEMICAL RESISTANCE:

- ◆ Inert to most aqueous acid, alkaline, anodizing and pickling solutions up to 212°F (100°C).

RUGGED CONSTRUCTION:

- ◆ Heavy wall fluoropolymer (PTFE) covered stainless steel element reduces permeation and reduces the need for gas purge systems. Guaranteed 100% pinhole free.

OUTSTANDING PERFORMANCE:

- ◆ Low watt density design (10 watts/square inch (1.5w/cm²)) uses minimal space and ensure long service life.

CORROSION RESISTANT HEAD:

- ◆ Vapor resistant, flame retardant polypropylene terminal enclosure with 3 ft (.9m) flexible PVC liquid tight conduit.

SAFETY FEATURES:

- ◆ Grounded internal metal element.
- ◆ Thermal protector built in. Replaceable P1 protector standard for solutions up to 180°F(82°C).
- ◆ Non-floating construction.

CERTIFICATIONS: cULus listed and CE compliant (except 600 volts).

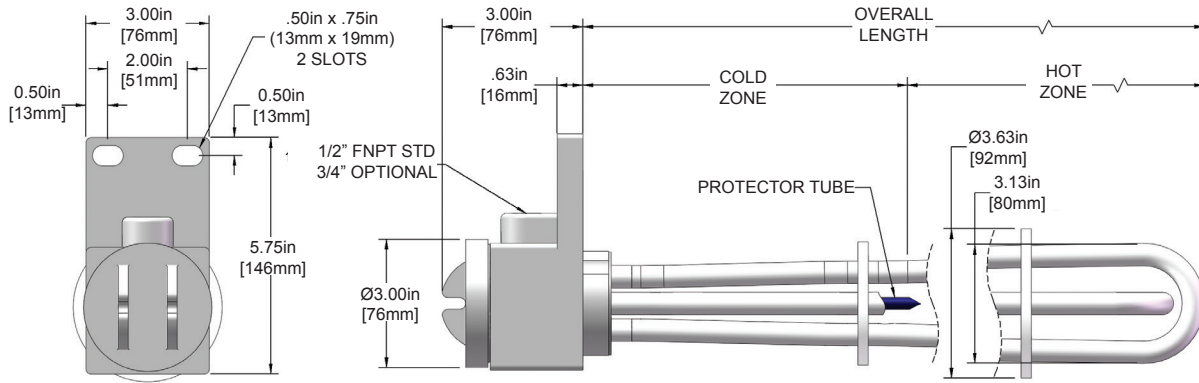
SIZES: 1,000 watts to 6,000 watts.

VOLTAGES: 120 to 600 volts.

OPTIONS AVAILABLE (consult factory):

- ◆ Resettable thermal protectors:
 - P2: For solutions up to 180°F(82°C)
 - P8: Type-J thermocouple for solutions up to 210°F(99°C).
 - P3: Type-J thermocouple for solutions up to 250°F(121°C).
- ◆ Polypropylene guards: Recommended for applications up to 180°F(82°C) (sold separately).
- ◆ Fluoropolymer (PTFE) guards: Recommended for chromic acid and solutions over 180°F(82°C) (sold separately).
- ◆ Special configurations and lengths.
- ◆ Longer wire and conduit lengths.
- ◆ Flexible continuous fluoropolymer leads (P3 protector only).
- ◆ Lower watt densities for highly viscous solutions and technical acids.
- ◆ Temperature and level controls sized to match the heater. (sold separately)

DIMENSIONS



THREE ELEMENT FLUOROPOLYMER (PTFE) HEATER ORDERING INFORMATION

Series	Wattage	Voltage	Overall Length	Options	Type of Protector	Wire and Conduit Length														
	1 = 1000 1.5 = 1500 2 = 2000 3 = 3000 4 = 4000 5 = 5000 6 = 6000	1 = 120 2 = 240 3 = 380 4 = 480 5 = 415 6 = 600 7 = 400 8 = 208 9 = 220 0 = 200	17 = 1kW 23 = 1.5kW 29 = 2kW 35 = 3kW 47 = 4kW 59 = 5kW 68 = 6kW	-1 = single phase power		36" length standard (no designator) specify variations from standard Ex: -X84 = 84"														
	3HX = PTFE 3HS = 304 stainless steel																			
					<table border="1" style="width: 100%; border-collapse: collapse;"> <tr> <th colspan="2" style="text-align: center;">Replaceable Fuse</th> </tr> <tr> <td style="text-align: center;">-P1 (std)</td> <td>for solutions up to 190°F</td> </tr> <tr> <th colspan="2" style="text-align: center;">Resettable Fuse</th> </tr> <tr> <td colspan="2" style="text-align: center;">(additional control components required)</td> </tr> <tr> <td style="text-align: center;">-P2</td> <td>for solutions up to 190°F</td> </tr> <tr> <td style="text-align: center;">-P8</td> <td>for solutions up to 210°F</td> </tr> <tr> <td style="text-align: center;">-P3</td> <td>for solutions up to 250°F</td> </tr> </table>		Replaceable Fuse		-P1 (std)	for solutions up to 190°F	Resettable Fuse		(additional control components required)		-P2	for solutions up to 190°F	-P8	for solutions up to 210°F	-P3	for solutions up to 250°F
Replaceable Fuse																				
-P1 (std)	for solutions up to 190°F																			
Resettable Fuse																				
(additional control components required)																				
-P2	for solutions up to 190°F																			
-P8	for solutions up to 210°F																			
-P3	for solutions up to 250°F																			

ORDERING EXAMPLE:

3HX1.5223-P1-X50

Three element fluoropolymer heater, 1500 watts, 240 volt, three phase, 23" overall length, P1 thermal protector, 50" wire and conduit.

