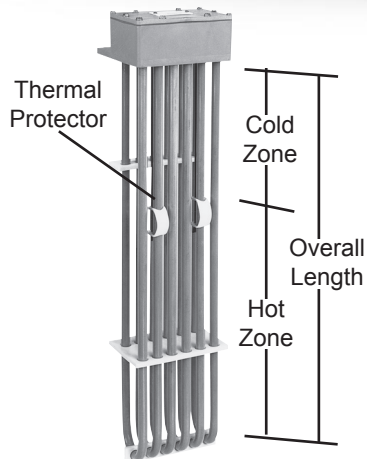




## HEATERS



### 6HX SERIES, SIX ELEMENT FLUOROPOLYMER (PTFE) HEATERS

WATTS	VOLTS	HOT ZONE In./(mm)	OVERALL LENGTH In./(mm)	MODEL NUMBER	SHIP WGT. Lbs./(kg)
2000	120	9	17	6HX2117-1**	19
	240	(229)	(432)	6HX2217-**	(8.6)
	480			6HX2417-**	
3000	240	15	23	6HX3223-**	22
	480	(381)	(584)	6HX3423-**	(10)
4000	240	21	29	6HX4229-**	24
	480	(533)	(737)	6HX4429-**	(10.9)
6000	240	28	35	6HX6235-**	27
	480	(711)	(889)	6HX6435-**	(12.2)
8000	240	38	47	6HX8247-**	33
	480	(965)	(1194)	6HX8447-**	(15)
10000	240	47	59	6HX10259-**	40
	480	(1194)	(1499)	6HX10459-**	(18.1)
12000	240	55	68	6HX12268-**	45
	480	(1397)	(1727)	6HX12468-**	(20.4)

Three phases standard. Single phase available as option. Add "-1" before thermal protector designator.

## 6HX Series Heater Features and Benefits

### SUPERIOR CHEMICAL RESISTANCE:

- ◆ Inert to most aqueous acid, alkaline, anodizing and pickling solutions up to 212°F (100°C).

### RUGGED CONSTRUCTION:

- ◆ Heavy wall fluoropolymer (PTFE) covered stainless steel element. Guaranteed 100% pinhole free.

### OUTSTANDING PERFORMANCE:

- ◆ Low watt density design 10 watts/square inch (1.5w/cm<sup>2</sup>) uses minimal space and ensure long service life.

### CORROSION RESISTANT HEAD:

- ◆ Vapor resistant, flame retardant polypropylene terminal enclosure with 3 ft (.9m) flexible PVC liquid tight conduit.

### SAFETY FEATURES:

- ◆ Grounded internal metal element.
- ◆ Thermal protector built in. Replaceable P1 protector standard for solutions up to 180°F(82°C).
- ◆ Non-floating construction.

**CERTIFICATIONS:** cULus listed and CE compliant (except 600 volts).

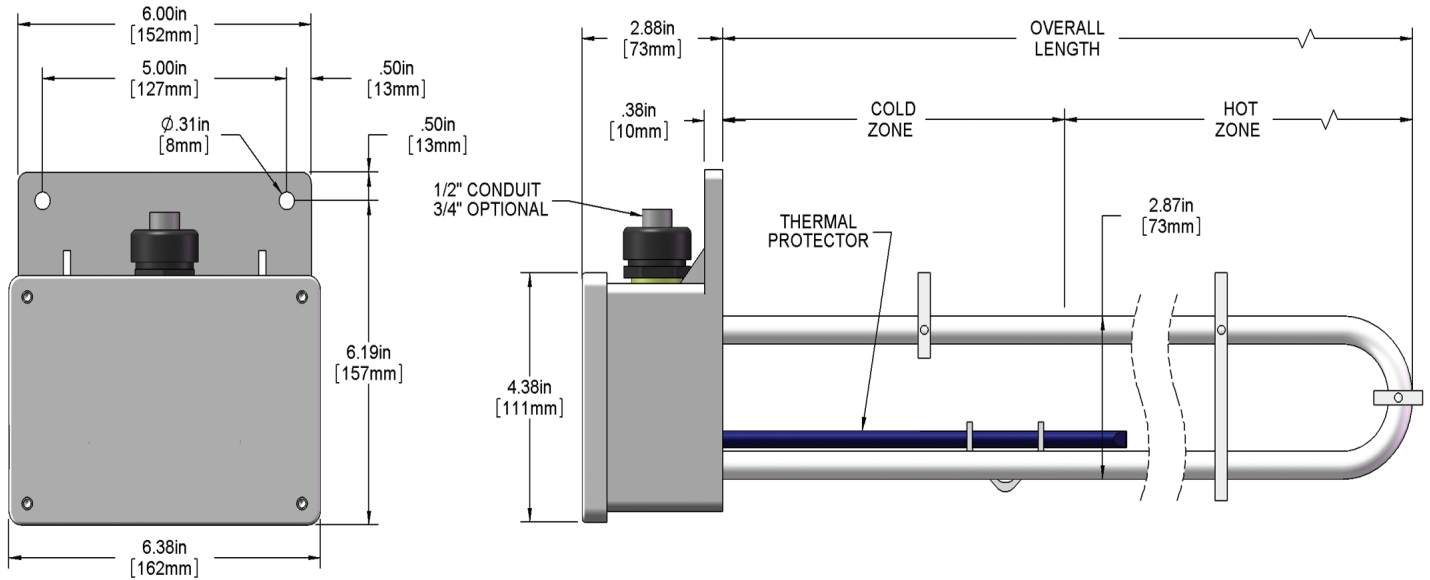
**SIZES:** 2,000 watts to 12,000 watts.

**VOLTAGES:** 120 to 600 volts.

### OPTIONS AVAILABLE (consult factory):

- ◆ Resettable thermal protectors:
  - P2: For solutions up to 180°F(82°C)
  - P8: Type-J thermocouple for solutions up to 210°F(99°C).
  - P3: Type-J thermocouple for solutions up to 250°F(121°C).
- ◆ Polypropylene guards: Recommended for applications up to 180°F(82°C) (sold separately).
- ◆ Fluoropolymer (PTFE) guards: Recommended for chromic acid or solutions over 180°F(82°C) (sold separately).
- ◆ Special configurations and lengths.
- ◆ Longer wire and conduit lengths.
- ◆ Lower watt densities for highly viscous solutions and technical acids.
- ◆ Temperature and level controls sized to match the heater. (sold separately)

## DIMENSIONS



## SIX ELEMENT FLUOROPOLYMER (PTFE) HEATER ORDERING INFORMATION

Series	Wattage	Voltage	Overall Length	Options	Type of Protector	Wire and Conduit Length														
	2 = 2000 3 = 3000 4 = 4000 6 = 6000 8 = 8000 10 = 10000 12 = 12000	1 = 120 2 = 240 3 = 380 4 = 480 5 = 415 6 = 600 7 = 400 8 = 208 9 = 220 0 = 200	17 = 2kW 23 = 3kW 29 = 4kW 35 = 6kW 47 = 8kW 59 = 10kW 68 = 12kW			36" length standard (no designator) specify variations from standard Ex: -X84 = 84"														
	6HX = PTFE 6HF = 304 stainless steel				<table border="1" style="width: 100%; border-collapse: collapse;"> <thead> <tr> <th colspan="2" style="text-align: center;">Replaceable Protector</th> </tr> </thead> <tbody> <tr> <td style="text-align: center;">P1</td> <td>For solutions up to 180°F</td> </tr> <tr> <th colspan="2" style="text-align: center;">Resettable Protector</th> </tr> <tr> <td colspan="2" style="text-align: center;">(additional control components required)</td> </tr> <tr> <td style="text-align: center;">P2</td> <td>For solutions up to 180°F</td> </tr> <tr> <td style="text-align: center;">P8</td> <td>For solutions up to 210°F</td> </tr> <tr> <td style="text-align: center;">P3</td> <td>For solutions up to 250°F</td> </tr> </tbody> </table>		Replaceable Protector		P1	For solutions up to 180°F	Resettable Protector		(additional control components required)		P2	For solutions up to 180°F	P8	For solutions up to 210°F	P3	For solutions up to 250°F
Replaceable Protector																				
P1	For solutions up to 180°F																			
Resettable Protector																				
(additional control components required)																				
P2	For solutions up to 180°F																			
P8	For solutions up to 210°F																			
P3	For solutions up to 250°F																			
	no designator = three phase power (standard) -1 = single phase power																			

### ORDERING EXAMPLE:

6HX8247-P2

6 element, fluoropolymer, 8000 watts, 240 volt, 47" overall length, P2 thermal protector.

