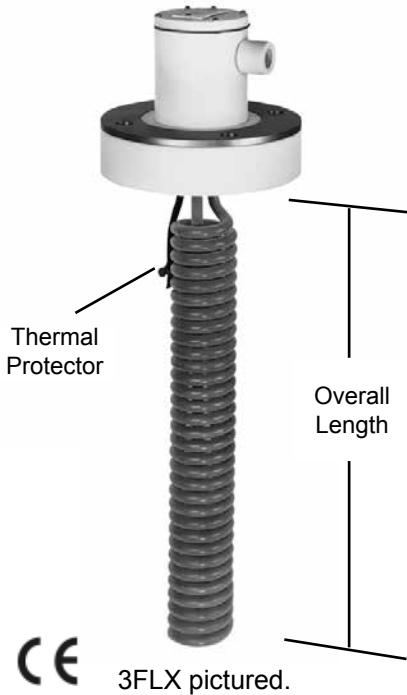




HEATERS



FLX SERIES, 3" 150 LB. STYLE SINGLE ELEMENT FLUOROPOLYMER (PTFE) FLANGED HEATERS

WATTS	VOLTS	NO. OF ELEMENTS	OVERALL LENGTH In./ (mm)	MODEL NUMBER	SHIP WGT. Lbs./ (kg)
1000	120	1	11	3FLX1111-**	20
	240		(279)	3FLX1211-**	(9.1)
2000	240	1	16	3FLX2216-**	23
	480		(406)	3FLX2416-**	(10.4)
3000	240	1	21	3FLX3221-**	26
	480		(533)	3FLX3421-**	(11.8)
4000	240	1	28	3FLX4228-**	29
	480		(711)	3FLX4428-**	(13.2)
5000	240	1	32	3FLX5232-**	32
	480		(813)	3FLX5432-**	(14.5)
6000	240	1	35	3FLX6235-**	35
	480		(889)	3FLX6435-**	(15.9)

FLX SERIES, 6" 150 LB. STYLE THREE ELEMENT FLUOROPOLYMER (PTFE) FLANGED HEATERS

WATTS	VOLTS	NO. OF ELEMENTS	OVERALL LENGTH In./ (mm)	MODEL NUMBER	SHIP WGT. Lbs./ (kg)
3000	240	3	11	6FLX3211-**	42
	480		(279)	6FLX3411-**	(19.1)
6000	240	3	16	6FLX6216-**	51
	480		(406)	6FLX6416-**	(23.1)
9000	240	3	21	6FLX9221-**	60
	480		(533)	6FLX9421-**	(27.2)
12000	240	3	28	6FLX12228-**	66
	480		(711)	6FLX12428-**	(29.9)
15000	240	3	32	6FLX15232-**	75
	480		(813)	6FLX15432-**	(34)
18000	240	3	35	6FLX18235-**	84
	480		(889)	6FLX18435-**	(38.1)

FLX Series Heater Features and Benefits

SUPERIOR CHEMICAL RESISTANCE:

- ◆ Inert to most aqueous acid, alkaline, anodizing and pickling solutions up to 212°F (100°C).

RUGGED CONSTRUCTION:

- ◆ Heavy wall fluoropolymer (PTFE) covered stainless steel element reduces permeation and reduces the need for gas purge systems. Guaranteed 100% pinhole free.

OUTSTANDING PERFORMANCE:

- ◆ Low watt density design (10 watts/square inch (1.5w/cm²)) uses minimal space and ensure long service life.

CORROSION RESISTANT HEAD:

- ◆ Polypropylene terminal enclosure with 3 ft (.9m) flexible PVC liquid tight conduit.

SAFETY FEATURES:

- ◆ Grounded internal metal element.
- ◆ Thermal protector built in. Resettable P2 protector standard for solutions up to 180°F (82°C).
- ◆ Non-floating construction.

CERTIFICATIONS: CE compliant (except 600 volts).

SIZES: 1000 watts to 18,000 watts.

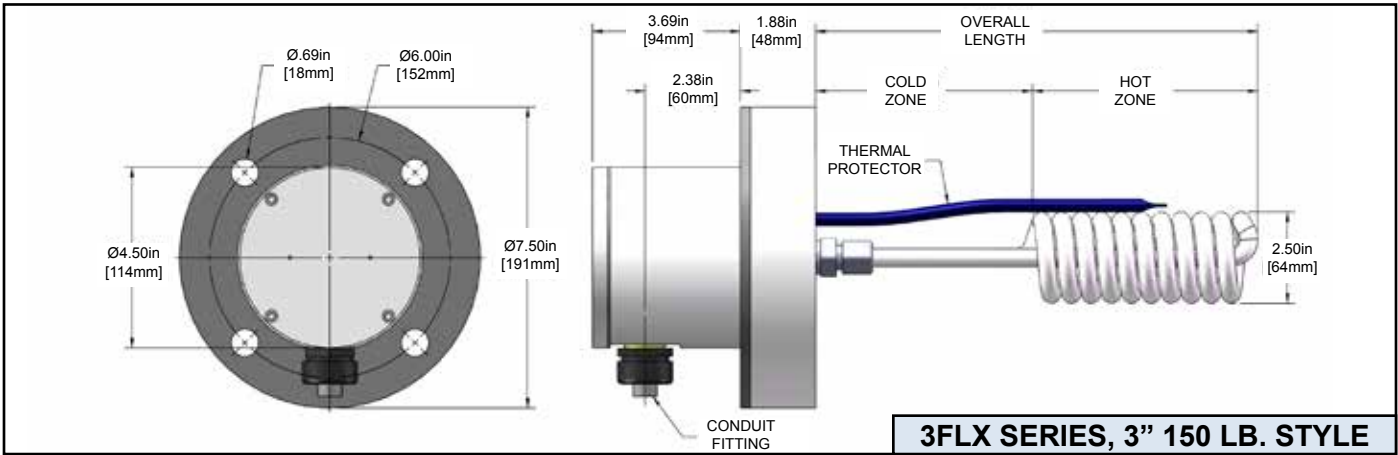
VOLTAGES: 120 to 600 volts. 3FLX single phase only. 6FLX single or three phase.

OPTIONS AVAILABLE (consult factory):

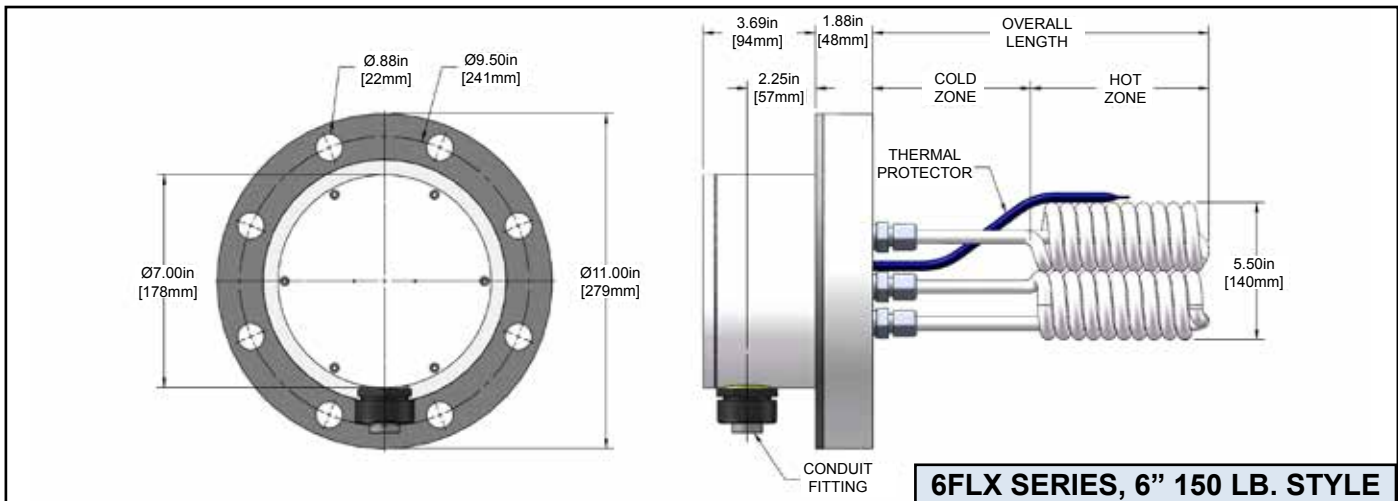
- ◆ P8: Type-J thermocouple for solutions up to 210°F (99°C).
- ◆ Special configurations and lengths.
- ◆ Longer wire and conduit lengths.
- ◆ Lower watt densities for highly viscous solutions and technical acids.
- ◆ Temperature and level controls sized to match the heater. (sold separately)

NOTE: Gasket and bolts are not provided. Intended for horizontal installation only.

DIMENSIONS



3FLX SERIES, 3" 150 LB. STYLE



6FLX SERIES, 6" 150 LB. STYLE

PTFE FLANGED HEATER ORDERING INFORMATION

Flange Size	Series	Wattage	Voltage	Overall Length (in.)	Options	Type of Protector	Wire and Conduit Length
3 = 3" 6 = 6"		1 = 1000 2 = 2000 3 = 3000 4 = 4000 5 = 5000 6 = 6000 9 = 9000 12 = 12000 15 = 15000 18 = 18000	1 = 120 2 = 240 3 = 380 4 = 480 5 = 415 6 = 600 7 = 400 8 = 208 9 = 220 0 = 200	3FLX 6FLX 11 = 1kW 3kW 16 = 2kW 6kW 21 = 3kW 9kW 28 = 4kW 12kW 32 = 5kW 15kW 35 = 6kW 18kW specify (custom lengths available)	Single phase power only for 3FL series Three phase power standard for 6FL series -1 = single phase power (6FL only)	Resettable Protector (additional control components required) P2 for solutions up to 180°F P8 for solutions up to 210°F	No designator = 36" conduit standard. Specify variations, Ex. - 84 = 84" length.
FLX = PTFE sheathed							

ORDERING EXAMPLE:

3FLX1211-P2

3" PTFE flange, PTFE sheathed element, 1000 watts, 240 volts, 11" overall length, P2 thermal protector.

