



IX SERIES, INSULATORS			
SIZE (NPT)	LENGTH In./ (mm)	MODEL NUMBER	SHIP WGT. Lbs./ (kg)
1/2"	2" (51)	IX-5-*	1 (.5)
3/4"	2" (51)	IX-3-*	1 (.5)
1"	2-1/2" (63.5)	IX-1-*	1 (.5)
1 1/4"	2-1/2" (63.5)	IX-1-1/4-*	1 (.5)
1 1/2"	2-1/2" (63.5)	IX-1-1/2-*	1 (.5)
2"	2-1/2" (63.5)	IX-2-*	1 (.5)

* S = stainless steel, T = titanium.

IX Series Features and Benefits

APPLICATIONS:

- ◆ Protects metal heat exchangers and plating processes from stray voltage or current.
- ◆ Prevents seizing between metal lines.
- ◆ Dampens vibrations.

RUGGED CONSTRUCTION:

- ◆ Fluoropolymer (PTFE) body with stainless steel or titanium retainer ring for added structural integrity.

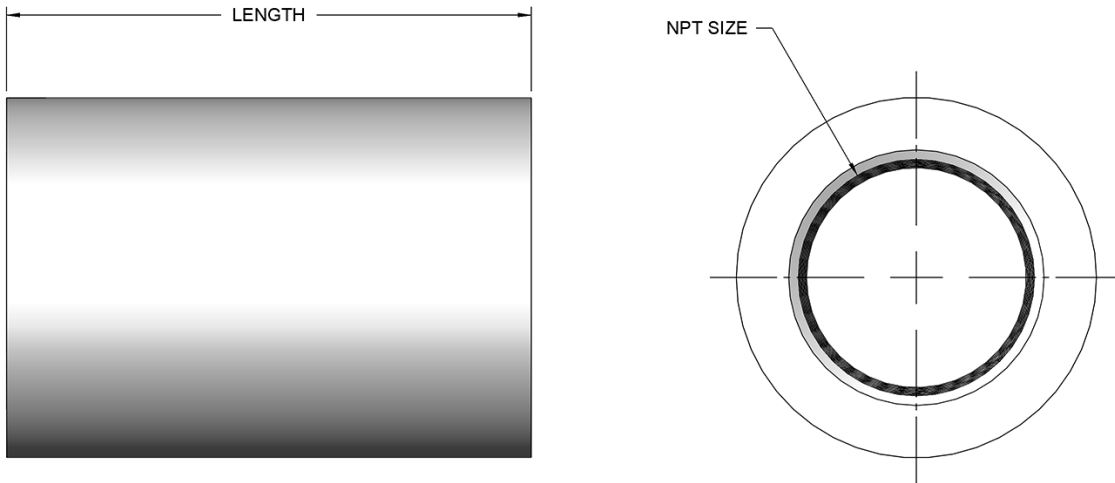
CAPACITIES:

- ◆ Sizes: 1/2-inch FNPT to 2-inch FNPT.
- ◆ Maximum steam service: 50 PSIG.

OPTIONS AVAILABLE (consult factory):

- ◆ Titanium retainer rings.
- ◆ Special lengths.
- ◆ Metric sizes.

DIMENSIONS



Model	Length	NPT Size	OD (S)	OD (T)
IX-5-*	2.00" (51mm)	1/2"	1.31"	1.25"
IX-3-*	2.00" (51mm)	3/4"	1.31"	1.50"
IX-1-*	2.50" (64mm)	1"	1.88"	2.00"
IX-1-1/4-*	2.50" (64mm)	1-1/4"	2.38"	2.00"
IX-1-1/2-*	2.50" (64mm)	1-1/2"	2.25"	3.00"
IX-2-*	2.50" (64mm)	2"	3.00"	3.00"

* Material

INSULATOR COIL ORDERING INFORMATION

Series	Size (NPT)	Collar Material
IX	-5 = 1/2" -3 = 3/4" -1 = 1" -1-1/4 = 1 1/4" -1-1/2 = 1 1/2" -2 = 2"	-S = 316 Stainless Steel -T = Titanium

ORDERING EXAMPLE:

IX-3-S

IX series insulator, 2" length, 3/4" NPT size, stainless steel collar.

