

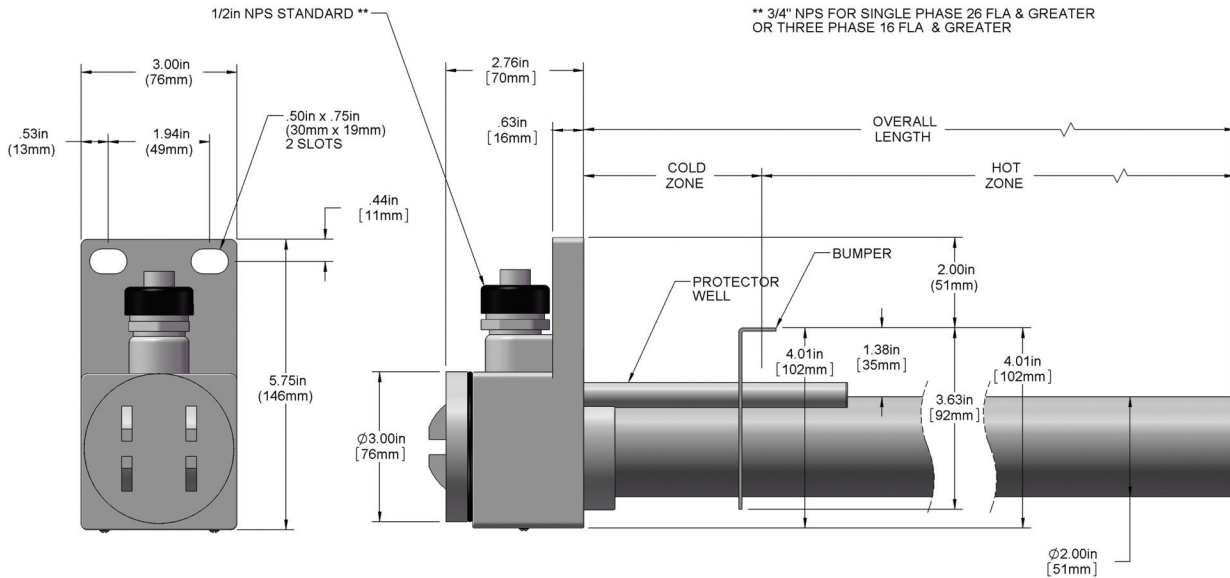
DEEP TANK, METAL HEATERS									
WATTS	VOLTS	HOT ZONE In./(mm)	OVERALL LENGTH In./(mm)	STEEL	304 SS	316 SS	TITANIUM	SHIP WGT. Lbs./(kg)	
12000	240	58	96	P12296-**	F12296-**	S12296-**	T12296-**	37	
	480	(1475)	(2440)	P12496-**	F12496-**	S12496-**	T12496-**	(17)	
12000	240	58	120	P122120-**	F122120-**	S122120-**	T122120-**	45	
	480	(1475)	(3050)	P124120-**	F124120-**	S124120-**	T124120-**	(20)	
12000	240	58	144	P122144-**	F122144-**	S122144-**	T122144-**	53	
	480	(1475)	(3655)	P124144-**	F124144-**	S124144-**	T124144-**	(24)	
15000	480	76 (1930)	96(2440)	P15496-**	F15496-**	S15496-**	T15496-**	37 (17)	
15000	480	76 (1930)	120 (3050)	P154120-**	F154120-**	S154120-**	T154120-**	45 (20)	
15000	480	76 (1930)	144 (3655)	P154144-**	F154144-**	S154144-**	T154144-**	53 (24)	
18000	480	82 (2085)	96(2440)	P18496-**	F18496-**	S18496-**	T18496-**	37 (17)	
18000	480	82 (2085)	120 (3050)	P184120-**	F184120-**	S184120-**	T184120-**	45 (20)	
18000	480	82 (2085)	144 (3655)	P184144-**	F184144-**	S184144-**	T184144-**	53 (24)	

Three phase available as option. Add "-3" before thermal protector designator. Heaters 15,000 watts and higher at 240 volts are available in three phase only.

Product Features and Benefits:

- ◆ **SUPERIOR CHEMICAL RESISTANCE:** Materials available for use in most aqueous alkaline solutions, plating solutions, and rinse tanks. Check solution recommendation chart or with your chemical supplier for proper sheath material selection.
- ◆ **RUGGED CONSTRUCTION:** Heavy wall metal sheaths available in:
 - Steel.
 - 304 stainless steel.
 - 316 stainless steel.
 - Titanium.
- ◆ **OUTSTANDING PERFORMANCE:** Watt densities of 35 watts per square inch (5.4 w/cm²) ensure long service life.
- ◆ **CORROSION RESISTANT HEAD:** Vapor resistant, flame retardant polypropylene terminal enclosure with 3-foot (.9m) flexible PVC liquid tight conduit.
- ◆ **SAFETY FEATURES:**
 - Grounded construction.
 - Thermal protector built in. Replaceable P1 fuse standard for solutions up to 180°F (82°C).
 - Non-floating construction.
- ◆ **CERTIFICATIONS:** UL listed (except steel) to U.S. and Canadian safety requirements, and CE (except 600 volts).
- ◆ **SIZES:** 12,000 watts to 18,000 watts.
- ◆ **VOLTAGES:** 240 to 600 volts. Single phase standard, three phase available.
- ◆ **OPTIONS AVAILABLE (consult factory):**
 - Replaceable thermal protectors:
 - P4: for solutions from 180°F (82°C) to 230°F (110°C).
 - Resettable thermal protectors:
 - P2: for solutions up to 180°F (82°C).
 - P6: for solutions from 180°F (82°C) to 230°F (110°C).
 - Special configurations and lengths.
 - Longer wire and conduit lengths.
 - Lower watt densities for highly viscous solutions.
 - Temperature and level controls sized to match the heater.

DIMENSIONS



SINGLE TUBE DEEP TANK METAL OVER THE SIDE HEATER ORDERING INFORMATION

Series	Wattage	Voltage	Length (in.)	Options	Type of Fuse	Wire and Conduit Length
	12 = 12000 15 = 15000 18 = 18000	2 = 240 3 = 380 4 = 480 5 = 415 6 = 600	96 120 144			no designator = 36" length standard specify variations from standard Ex: -X84 = 84"
	P = steel F = 304 stainless steel S = 316 stainless steel T = titanium					
	no designator = single phase power (standard) -3 = three phase power					
					Replaceable Protector -P1 (std) for solutions up to 180°F -P4 for 180° - 230°F solutions Resettable Protector (additional control components required) -P2 for solutions up to 180°F -P6 for 180° - 230°F solutions	

1 inch = 25.4mm

ORDERING EXAMPLE:

S12496-3-P1

Over-the-side, 316 stainless steel, 12,000 watts, 480 volt, 96" overall length, 3 phase, P1 protector.

