



## EXCELLENT CHEMICAL RESISTANCE TO AGGRESSIVE ACIDS

Compatible with virtually any chemistry. Excellent chemical resistance to aggressive acids! 3 element. Low watt density. Built-in thermal protector and grounded element. Fluoropolymer (PTFE) sleeved 304 stainless elements inert to most solutions. Corrosion-resistant head. Three phase. 1000-6000 watts, 120-480 volts.



### FEATURES

Inert to most aqueous acids, alkaline, anodizing, & picking solutions.

Rugged, heavy wall PTFE covered stainless steel element reduces permeation. Guaranteed 100% pinhole free.

Space saving & long service life with low Watt density design of 10 W/in<sup>2</sup> (1.5 W/cm<sup>2</sup>).

Vapor-resistant, flame retardant polypropylene terminal enclosure with 3 ft (.9m) flexible PVC liquid tight conduit.

Lower watt densities for highly viscous solutions & technical acids.

3HX SERIES, THREE ELEMENT FLUOROPOLYMER (PTFE) HEATERS					
WATTS	VOLTS	HOT ZONE in/(mm)	OVERALL LENGTH in/(mm)	MODEL NUMBER	SHIP WGT. lbs/(kg)
1000	120	10	17	3HX1117-1**	10
	240	(254)	(432)	3HX1217-**	(4.5)
1500	120	16	23	3HX1.5123-1**	11
	240	(406)	(584)	3HX1.5223-**	(5)
	480			3HX1.5423-**	
2000	120	22	29	3HX2129-1**	12
	240	(559)	(737)	3HX2229-**	(5.4)
	480			3HX2429-**	
3000	240	29	35	3HX3235-**	14
	480	(737)	(889)	3HX3435-**	(6.4)
4000	240	39	47	3HX4247-**	17
	480	(991)	(1194)	3HX4447-**	(7.7)
5000	240	48	59	3HX5259-**	20
	480	(1219)	(1499)	3HX5459-**	(9.1)
6000	240	56	68	3HX6268-**	23
	480	(1422)	(1727)	3HX6468-**	(10.4)

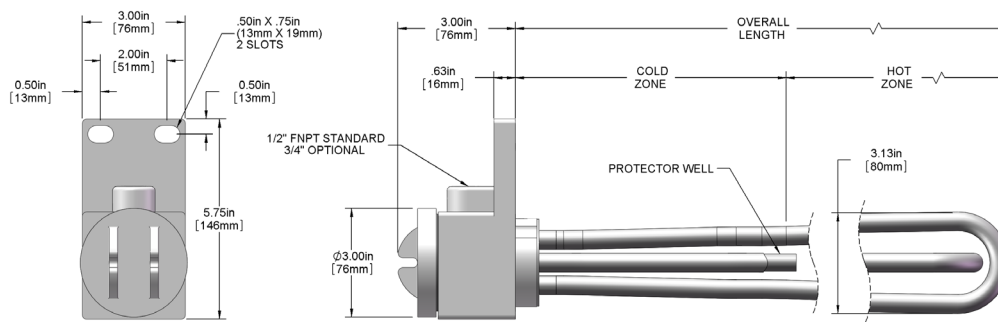
Three-phase standard

# 3HX Fluoropolymer Heater

## SPECIFICATIONS

Wattages	1,000 Watts to 6,000 Watts
Voltages	120 Volts to 480 Volts
Safety Features	<p>Grounded internal metal element</p> <p>Built-in thermal protector.</p> <p>Replaceable PI protector .</p> <p>Other options available.</p> <p>Non-floating construction</p>

## DIMENSIONS



## MODEL NUMBER BREAKDOWN

Series	Wattage	Voltage	Overall Length	Phase	Type of Protector	Wire & Conduit Length
3HX = PTFE	1 = 1000	1 = 120	17 = 1kW	1 = single	<b>Replaceable Fuse</b>	36" length standard (no designator)
	1.5 = 1500	2 = 240	23 = 1.5kW		P1 (std) = solutions up to 190°F	Specify variations from standard Ex: -X84 = 84"
	2 = 2000	3 = 380	29 = 2kW		<b>Resettable Fuse</b>	
	3 = 3000	4 = 480	35 = 3kW		P2 = solutions up to 190°F	
	4 = 4000	5 = 415	47 = 4kW		P8 = solutions up to 210°F	
	5 = 5000	6 = 600	59 = 5kW		P3 = solutions up to 250°F	
	6 = 6000	7 = 400	68 = 6kW			
		8 = 208				
		9 = 220				
		0 = 200				