

## Excellent Chemical Resistance to Aggressive Acids

Heavy wall fluoropolymer sheath (PTFE) covered stainless steel element reduces permeation. Excellent chemical resistance to aggressive acids! Inert to most solutions with a corrosion-resistant head. Check solution recommendation chart with your chemical supplier for proper sheath material selection. Thermal protector built in. 3" and 6" flange sizes. Heats up to 180°F (82°C). 1000-18000 watts, 208-600 volts



### FEATURES

Inert to most aqueous acid, alkaline, anodizing, & pickling solutions up to 212°F (100°C)

Rugged, heavy wall PTFE covered stainless steel element reduces permeation. Guaranteed 100% pinhole free.

Space saving & long service life with low watt density design of 10 W/in<sup>2</sup> (1.5 W/cm<sup>2</sup>).

Polypropylene terminal enclosure with 3 ft (.9m) flexible PVC liquid tight conduit.


Lower Watt densities available for highly viscous solutions & technical acids.

NOTE: Gasket & bolts are not provided. Intended for horizontal installation only.


FLX SERIES, 3" 150 LB. STYLE SINGLE ELEMENT FLUOROPOLYMER (PTFE) FLANGED HEATERS					
WATTS	VOLTS	NO. OF ELEMENTS	OVERALL LENGTH in/(mm)	MODEL NUMBER	SHIP WGT. lbs/(kg)
1000	120	1	11	3FLX1111.**	20
	240		(279)	3FLX1211.**	(9.1)
2000	240	1	16	3FLX2216.**	23
	480		(406)	3FLX2416.**	(10.4)
3000	240	1	21	3FLX3221.**	26
	480		(533)	3FLX3421.**	(11.8)
4000	240	1	28	3FLX4228.**	29
	480		(711)	3FLX4428.**	(13.2)
5000	240	1	32	3FLX5232.**	32
	480		(813)	3FLX5432.**	(14.5)
6000	240	1	35	3FLX6235.**	35
	480		(889)	3FLX6435.**	(15.9)

FLX SERIES, 6" 150 LB. STYLE THREE ELEMENT FLUOROPOLYMER (PTFE) FLANGED HEATERS					
WATTS	VOLTS	NO. OF ELEMENTS	OVERALL LENGTH in/(mm)	MODEL NUMBER	SHIP WGT. lbs/(kg)
3000	240	3	11	6FLX3211.**	42
	480		(279)	6FLX3411.**	(19.1)
6000	240	3	16	6FLX6216.**	51
	480		(406)	6FLX6416.**	(23.1)
9000	240	3	21	6FLX9221.**	60
	480		(533)	6FLX9421.**	(27.2)
12000	240	3	28	6FLX12228.**	66
	480		(711)	6FLX12428.**	(29.9)
15000	240	3	32	6FLX15232.**	75
	480		(813)	6FLX15432.**	(34)
18000	240	3	35	6FLX18235.**	84
	480		(889)	6FLX18435.**	(38.1)

 Temperature: Up to 212°F (100°C)

 Volts: 120 to 480 volts

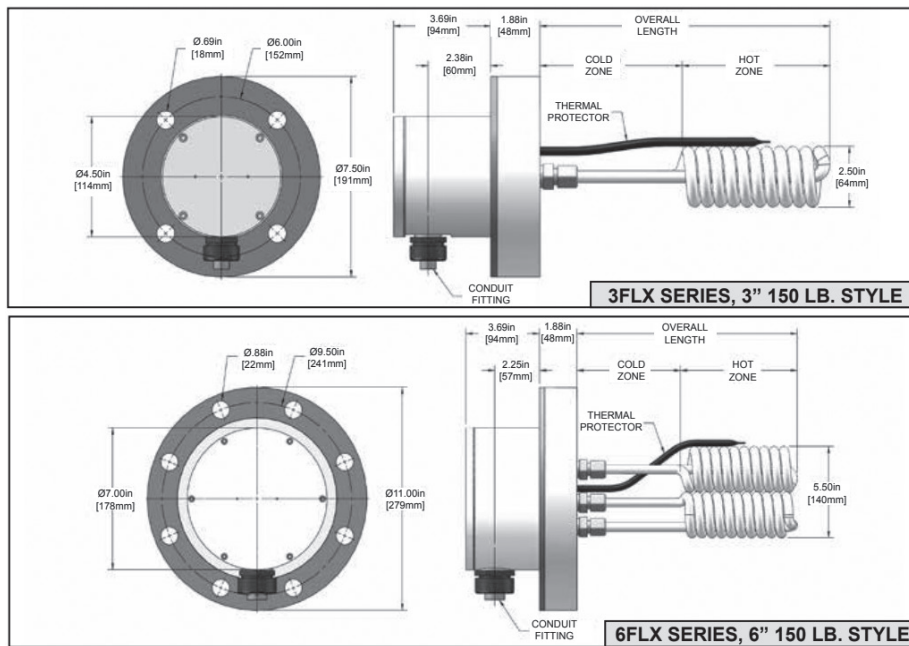
 Watts: 1,000 to 18,000 watts

 Certification: CE (except 600 volts)

# FLX Fluoropolymer Heater

## SPECIFICATIONS

Wattages	1,000 Watts to 18,000 Watts
Voltages	120 volts to 480 volts, 3FLX single phase only 6FLX single or three phase
Temperature Range	Up to 212°F (100°C)
Safety Features	Grounded construction  Built-in thermal protector. Replaceable P1 protector standard for up to 180°F (82°C). Other options available.
DIMENSIONS	Non-floating construction.



## MODEL NUMBER BREAKDOWN

3		FLX		1		1		11		P2	
Flange Size	Series	Wattage	Voltage	Overall Length (in.)		Phase		Type of Protector		Wire & Conduit Length	
3 = 3"	FLX = PTFE	1 = 1000	1 = 120	11 = 1kW	6FLX	No Designator = single-phase (std. for 3FL)		Resetttable Fuse		36" length standard (no designator)	
6 = 6"		2 = 2000	2 = 240	16 = 2kW	6kW	No Designator = three-phase (std. for 6FL)		Additional control components required		Specify variations from standard Ex: -X84 = 84"	
		3 = 3000	3 = 380	21 = 3kW	9kW	1 = single-phase (6FL only)		P2 = solutions up to 190°F			
		4 = 4000	4 = 480	28 = 4kW	12kW			P8 = solutions up to 210°F			
		5 = 5000	5 = 415	32 = 5kW	15kW						
		6 = 6000	6 = 600	35 = 6kW	18kW						
		9 = 9000	7 = 400	Specify (Custom lengths available)							
		12 = 12000	8 = 208								
		15 = 15000	9 = 220								
		18 = 18000	0 = 200								